

Tube & Pipe Fittings



Tube & Pipe Fittings

Chemical Composition (%) 化学成分

ASTM 标准	C	Si	Mn	P	S	Ni	Cr	Mo
304	≤ 0.080	≤ 1.00	≤ 2.00	≤ 0.045	≤ 0.030	8.00 – 11.00	18.00 – 20.00	-
304L	≤ 0.035	≤ 1.00	≤ 2.00	≤ 0.045	≤ 0.030	8.00 – 12.00	18.00 – 20.00	-
316	≤ 0.080	≤ 1.00	≤ 2.00	≤ 0.045	≤ 0.030	10.00 – 14.00	16.00 – 18.00	2.00 – 3.00
316L	≤ 0.035	≤ 1.00	≤ 2.00	≤ 0.045	≤ 0.030	12.00 – 16.00	16.00 – 18.00	2.00 – 3.00
316L VAR	0.015 – 0.030	≤ 1.00	1.00 – 1.50	≤ 0.045	0.005 – 0.012	12.00 – 16.00	16.00 – 18.00	2.00 – 3.00
316L VIM+VAR	0.015 – 0.030	≤ 1.00	0.15 – 0.40	≤ 0.045	0.005 – 0.010	12.00 – 16.00	16.00 – 18.00	2.00 – 3.00

Characteristics 材料特性

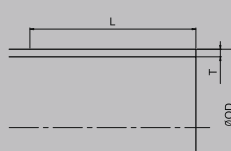
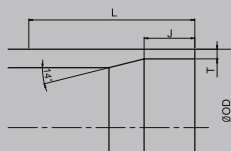
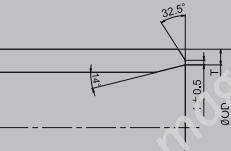
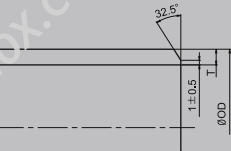
ASTM	机械				抗氧化 临界温度				
	拉伸强度 (N/mm ²)	屈服强度 (N/mm ²)	延伸率 (%)	比重	热膨胀 × 10 ⁻⁶ 0 - 100°C	比电阻 (10 ⁻⁸ Ωm)	比热 0 - 100°C kj / (kg·°C)	连续使用 (°C)	间歇使用 (°C)
304	≥ 520	≥ 205	≥ 30	7.93	17.3	72	0.5	900	810
304L	≥ 480	≥ 175	≥ 30	7.93	17.3	72	0.5	900	810
316	≥ 520	≥ 205	≥ 30	7.98	16.0	74	0.5	900	810
316L	≥ 480	≥ 175	≥ 30	7.98	16.0	74	0.5	900	810

Cleaned Quality Assurance Values 清洁质量保证值

检测项目	保证值					
	AP	等级	BA 等级	MP + EP 等级	EP	等级
含油量测定	≤ 0.1mg/ft ²		≤ 0.01mg/ft ²			
颗粒计数	≤ 0.3μm 颗粒的数量 ≤ 5/cf		≤ 0.1μm 颗粒的数量 ≤ 5/cf		≤ 0.1μm 颗粒的数量 ≤ 5/cf	
液体电阻率测量	-		≥ 0.5MΩ-cm			
离子色谱分析	-		≤ 10ng/cm ²		≤ 5ng/cm ²	
露点测量	-		≤ -75°C			

Tube & Pipe Fittings

Weld Bevel End Manufacture Form 焊接坡口加工型式

Form Type	Automatic Welding		Manual Welding	
				
ELBOW (LONG/SHORT)	8A ~ 100A	-	125A ~ 600A	-
EQUAL TEE (LONG/SHORT)	8A ~ 65A	80A ~ 100A	125A ~ 600A	-
REDUCING TEE	8A ~ 100A	-	-	125A ~ 600A
CAP	-	15A ~ 100A	125A ~ 600A	-
CAP REDUCER	15A ~ 32A	40A ~ 100A	125A ~ 600A	-
CONCENTRIC REDUCER	15A ~ 100A	-	125A ~ 600A	-
ECCENTRIC REDUCER	15A ~ 100A	-	125A ~ 600A	-

Dimensional Tolerance 尺寸公差

Item	Products	Normal Pipe Size				
		1/8" ~ 3/8"	8A ~ 10A 1/2" ~ 3/4"	15A ~ 65A 1" ~ 3"	80A ~ 200A 4" ~ 6"	250A ~ 300A
Pipe Fitting Header Joint-Header Multi-Tee	Outside Diameter at End (OD)	±0.1mm	±1%			
	Wall Thickness at End (T)	Either Bigger ±0.2mm or ±20%				
	Straight End Length (L)	+ Not Specified - 0.4mm				
	Thinning Length (J)	+ Not Specified - 0				
Elbow, D-Elbow	Bend Radius (R)	±0.8mm		±1.6mm		±3.2mm
Elbow, D-Elbow, Tee, Joint-Tee D-Tee, Header Joint-Header, Multi-Tee	Center to End (A · B · C · M)	±0.8mm		±1.6mm		±3.2mm
Lap Joint Pipe Flange	Length (FF FP)	±0.8mm		±1.6mm		±3.2mm
Cap, 180° Return Bend	Back to End (E, BH)	±0.8mm				±3.2mm
Reducer, Cap Reducer J-Reducer, J-Cap Outside-Diameter-Changeable Fitting Wall-Thickness-Changeable Fitting	Over All Length (H, Q)	±0.8mm		±1.6mm		±3.2mm
Lap Joint	Thickness of Lap (t)		±0A		+1.6mm - 0	
	Diameter of Lap (G)		±0A		+0mm - 0.8	+0mm - 1.6
Header Joint-Header Multi-Tee	Length of End (EL)	±1.6mm				
	Branch Pitch (P)	±1.6mm			±3.2mm	
	Total Length (L)	+5mm - 0				

Tube & Pipe Fittings

Tube Ordering Information 管道订购信息

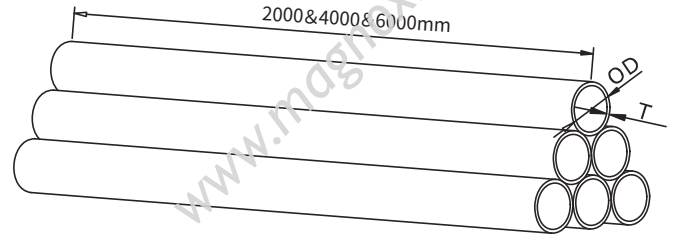
S40		66759		4		4		F4	
材质		产品系列		尺寸		长度		表面处理	
W40	SUS316L焊管	66759	英制	4	1/4"	2	2000mm	BLANK	BA Ra ≤ 0.8um
W10	SUS304焊管	66763-05	A制5S	6	3/8"	4	4000mm	F4	EP Ra ≤ 0.375um
S40	SUS316L无缝管	66763-10	A制10S	8	1/2"	6	6000mm	F5	MP Ra ≤ 0.8um
S10	SUS304 无缝管	66764	公制	12	3/4"			F6	AP Ra ≤ 2.50um
S40V	SUS316L VAR无缝管			16	1"				
S40W	VIM+VAR无缝管			20	1 1/4"				
				24	1 1/2"				
				32	2"				
				40	2 1/2"				
				48	3"				
				64	4"				
				80	5"				
				96	6"				
				XXXA	A制管				
				XXXM	公制管				

- 1、管件圆周焊缝区域内表面和外表面的值未定义。
- 2、“选型说明”用于说明型号的组成规则，有些组合实际并不存在；如有疑问，请联系迈格诺科相关业务。

Tube & Pipe Fittings

Tube Series
 管道系列

Material	316L/304
Surface treatment	EP/BA/AP
Range of size	1/8" -12"
Comply with specification	ASTM A269.A632

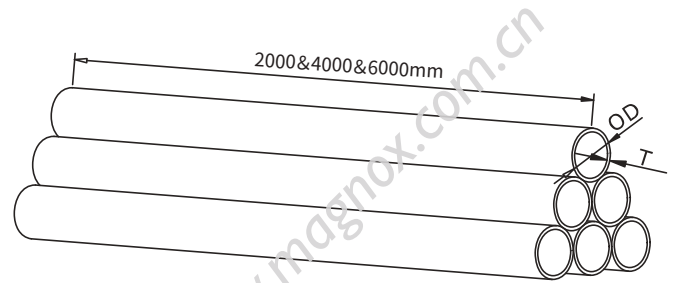


Tube size		Wall Thickness (mm)	316L/304L BA/AP 316L EP		Length
Inch size	Outside Diameter (mm)		Seamless	Seam	
1/4"	6.35	0.89/1.0	√		2000/4000/6000
3/8"	9.53	0.89/1.0	√		
1/2"	12.7	1.0/1.24	√		
5/8"	15.88	1.24	√		
3/4"	19.05	1.24/1.65	√		
1"	25.4	1.65	√	√	
1-1/2"	38.1	1.65	√	√	
2"	50.8	1.65	√	√	
2-1/2"	63.5	1.65	√	√	
3"	76.2	1.65	√	√	
4"	101.6	2.11	√	√	
5"	127	2.77	√	√	
6"	152.4	2.77	√	√	
8"	203.20	3.05	√	√	
10"	254.00	3.05	√	√	
12"	304.80	3.05	√	√	

Tube & Pipe Fittings

Pipe Series Pipe 管道系列

Material	316L/304
Surface treatment	EP/BA/AP
Range of size	15A-1000A
Comply with specification	JIS G3459, JIS G3468



Pipe size		Wall Thickness (mm)		316L/304L BA/AP 316L EP		Length
A size	Outside Diameter (mm)	5S	10S	Seamless	Seam	
15A	21.7	1.65	2.1	√	√	2000/4000/6000
20A	27.2	1.65	2.1	√	√	
25A	34.0	1.65	2.8	√	√	
32A	42.7	1.65	2.8	√	√	
40A	48.6	1.65	2.8	√	√	
50A	60.5	1.65	2.8	√	√	
65A	76.3	2.1	3.0		√	
80A	89.1	2.1	3.0		√	
90A	101.6	2.1	3.0		√	
100A	114.3	2.1	3.0		√	
125A	139.8	2.8	3.4		√	
150A	165.2	2.8	3.4		√	
200A	216.3	2.8	4.0		√	
250A	267.4	3.4	4.0		√	
300A	318.5	4.0	4.5		√	
350A	375.6	4.0	5.0		√	
400A	408.4	4.5	5.0		√	
450A	457.2	4.5	5.0		√	
500A	508.0	5.0	5.5		√	
550A	558.8	5.0	5.5		√	
600A	609.6	5.5	6.5		√	
650A	680.4	—	8.0		√	
700A	711.2	—	8.0		√	
750A	762.0	—	8.0		√	
800A	812.8	—	8.0		√	
850A	863.6	—	8.0		√	
900A	914.4	—	8.0		√	
950A	965.2	—	8.0		√	
1000A	1016	—	9.5		√	

Tube & Pipe Fittings

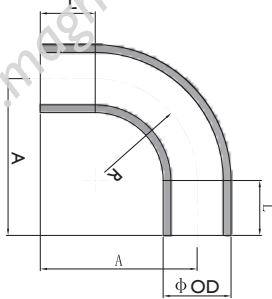
Fittings Ordering Information 管件订购信息

40		T	4			F1	F2					
材质		产品系列		主管尺寸	支管尺寸	转接终端	表面处理					
W40	SUS316L 焊管	T	TUBE	4	1/4"	4	1/4"	4VM	LB	90° LONG ELBOW (长焊弯头)	BLANK	BA Ra≤0.8μm
W10	SUS304 焊管	P	PIPE	6	3/8"	6	3/8"	4VF	ESB	90° SHORT ELBOW (短焊弯头)	F1	EP Ra≤0.13μm
40	SUS316L 无缝管			8	1/2"	8	1/2"	8VM	HEB	45° LONG ELBOW (长焊弯头)	F2	EP Ra≤0.18μm
10	SUS304 无缝管			12	3/4"	12	3/4"	8VF	TSB	STANDARD TEE (长焊等径三通)	F3	EP Ra≤0.25μm
40V	SUS316L VAR 无缝管			16	1"	16	1"	4SW	STB	STANDARD SHORT TEE (短焊等径三通)	F4	EP Ra≤0.375μm
40W	VIM+VAR 无缝管			20	1 1/4"	20	1 1/4"	8SW	TB	REDUCING TEE (变径三通)	F5	MP Ra≤0.80μm
				24	1 1/2"	24	1 1/2"		RCB	CONCENTRIC REDUCER (管式偏心加长焊变径)	F6	AP Ra≤2.50μm
				32	2"	32	2"		REB	ECCENTRIC REDUCER (管式同心加长焊变径)		
				40	2 1/2"	40	2 1/2"		CPB	CAP (封头)		
				48	3"	48	3"		CRB	CAP REDUCER (封头变径)		
				64	4"	64	4"		JTM	JOINT TEE (MALE) (转接三通MVCR)		
				80	5"	80	5"		JTF	JOINT TEE (FEMALE) (转接三通FVCR)		
				96	6"	96	6"		JRM	JOINT REDUCER (MALE) (转接变径MVCR)		
				XXXXA	PIPE SIZE	XXXXA	PIPE SIZE		JRF	JOINT REDUCER (FE-MALE) (转接变径FVCR)		
									JCM	JOINT CAP (MALE) (转接封头MVCR)		
									JCF	JOINT CAP (FEMALE) (转接封头FVCR)		
									TPK	TEFLON GASKET (特氟龙垫片)		
									LJF	LAP JOINT FLANGE (活套法兰)		
									RFF	RF FLANGE (突面法兰)		
									BLD	BLIND FLANGE (盲板法兰)		
									LAP	LAP JOINT (活套)		
									MHB	MULTI-HEADER TEE (直通多通管)		
									JMHB	MULTI-HEADER JOINT TEE (接头多通管)		

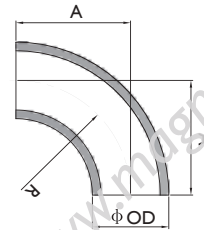
- 1、管件圆周焊缝区域内表面和外表面的Ra值未定义。
- 2、主管尺寸与支管相同时，支管尺寸代码将被省略，如1"长焊等径三通，选型代码表示为40L-T-16-TSB-F3。
- 3、“型号说明”仅用于说明型号组成规则，有些组合实际并不存在；如有疑问请联系迈格诺科相关销售工程师。

Tube & Pipe Fittings

90° Elbow 90° 弯头



AUTO-WELDING 90° ELBOW(8A~100A)



MANUAL-WELDING 90° ELBOW(125A~300A)

LONG RADIUS

unit = mm

Pipe Size (A Size) 90°																
OD	8A	10A	15A	20A	25A	32A	40A	50A	65A	80A	100A	125A	150A	200A	250A	300A
R	25.4	25.4	38.1	38.1	38.1	47.6	57.2	76.2	63.5	76.2	101.6	190.5	228.6	304.8	381.0	457.2
A	55.0	62.0	75.0	75.0	75.0	94.0	104.0	123.0	147.0	166.0	204.0					
L	29.0	36.0	36.0	36.0	36.0	46.0	46.0	46.0	51.0	51.0	51.0	-	-	-	-	-

unit = mm

Tube Size (Inch Size) 90°															
OD	1/4"	3/8"	1/2"	5/8"	3/4"	1"	1 1/4"	1 1/2"	2"	2 1/2"	3"	4"	5"	6"	
R	20.0	23.0	25.0	28.0	30.0	33.0	47.6	57.2	76.2	95.3	95.3	133.4	190.5	228.6	
A	49.0	52.0	54.0	61.0	66.0	69.0	84.0	104.0	123.0	147.0	147.0	185.0	250.0	290.0	
L	29.0	29.0	29.0	36.0	36.0	36.0	36.0	46.0	46.0	51.0	51.0	51.0	56.0	56.0	

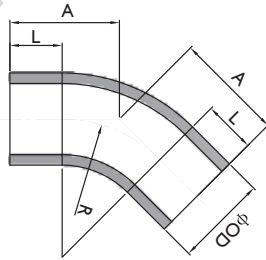
SHORT RADIUS

unit = mm

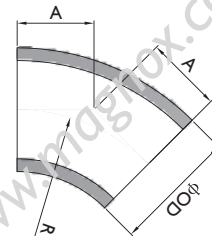
Pipe Size (A Size) 90°																
OD	8A	10A	15A	20A	25A	32A	40A	50A	65A	80A	100A	125A	150A	200A	250A	300A
R	12.7	12.7	12.7	19.1	25.4	31.8	38.1	50.8	63.5	76.2	101.6	127.0	152.4	203.2	254.0	304.8
A	42.0	49.0	49.0	56.0	62.0	78.0	85.0	97.0	115.0	128.0	153.0					
L	29.0	29.0	29.0	36.0	36.0	36.0	36.0	46.0	51.0	51.0	51.0	-	-	-	-	-

Tube & Pipe Fittings

45° Elbow 45° 弯头



AUTO-WELDING 45° ELBOW(8A~100A)



MANUAL-WELDING 45° ELBOW(125A~300A)

unit = mm

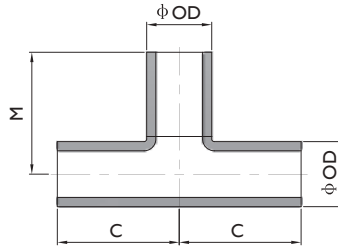
Pipe Size (A Size) 45°																
OD	8A	10A	15A	20A	25A	32A	40A	50A	65A	80A	100A	125A	150A	200A	250A	300A
R	25.4	25.4	38.1	38.1	38.1	47.6	57.2	76.2	95.3	114.3	152.4	190.5	228.6	304.8	381.0	457.2
A	40.0	47.0	52.0	52.0	52.0	66.0	70.0	78.0	91.0	99.0	115.0	78.9	94.7	126.2	157.8	189.4
L	29.0	36.0	36.0	36.0	36.0	46.0	46.0	46.0	51.0	51.0	51.0	-	-	-	-	-

unit = mm

Tube Size (Inch Size) 45°															
OD	1/4"	3/8"	1/2"	5/8"	3/4"	1"	1 1/4"	1 1/2"	2"	2 1/2"	3"	4"	5"	6"	
R	20.0	23.0	25.0	28.0	30.0	33.0	47.6	57.2	76.2	95.3	95.3	133.4	190.5	228.6	
A	38.0	39.0	40.0	48.0	49.0	50.0	56.0	70.0	78.0	91.0	91.0	107.0	140.0	155.0	
L	29.0	29.0	29.0	36.0	36.0	36.0	36.0	46.0	46.0	51.0	51.0	51.0	56.0	56.0	

Tube & Pipe Fittings

Equal Tee 等径三通



STANDARD TEE

unit = mm

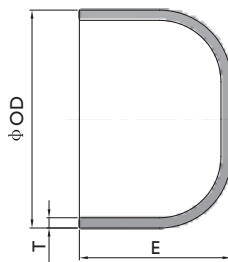
Pipe Size (A Size)																
OD	8A	10A	15A	20A	25A	32A	40A	50A	65A	80A	100A	125A	150A	200A	250A	300A
C	42	49	59	65	68	88	95	102	121	130	145	123.8	142.9	177.8	215.9	254.0
M	42	49	59	65	68	88	95	102	121	130	145					

Tube Size (Inch Size)															
OD	1/4"	3/8"	1/2"	5/8"	3/4"	1"	1 1/4"	1 1/2"	2"	2 1/2"	3"	4"	5"	6"	
C	35	37	39	49	52	55	59	74	77	90	121	132	140	160	
M	35	37	39	49	52	55	59	74	77	90	121	132	140	160	

SHORT TEE

Pipe Size (A Size)										
OD	15A	20A	25A	32A	40A	50A	65A	80A	100A	
C	52	55	59	74	77	83	97	103	116	
M	52	55	59	74	77	83	97	103	116	

End Cap 封头



unit = mm

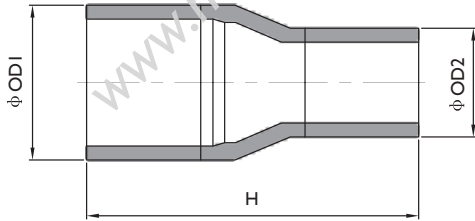
Pipe Size (A Size)																
OD	8A	10A	15A	20A	25A	32A	40A	50A	65A	80A	100A	125A	150A	200A	250A	300A
E	12.7	19.1	25.4	25.4	38.1	38.1	38.1	38.1	38.1	50.8	63.5	76.2	88.9	101.6	127.0	152.4
T	1.20	1.20	1.65	1.65	1.65	1.65	1.65	1.65	2.10	2.10	2.10	3.40	3.40	4.00	4.00	4.50

unit = mm

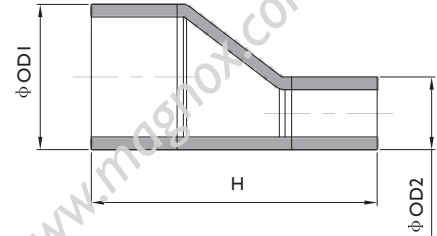
Tube Size (Inch Size)													
OD	1/4"	3/8"	1/2"	5/8"	3/4"	1"	1 1/4"	1 1/2"	2"	2 1/2"	3"	4"	
E	12.7	12.7	12.7	12.7	19.1	25.4	38.1	38.1	38.1	38.1	38.1	63.5	
T	1.00	1.00	1.24	1.24	1.65	1.65	1.65	1.65	1.65	1.65	1.65	2.11	

Tube & Pipe Fittings

Reducer 变径接头



AUTO WELDING TYPE

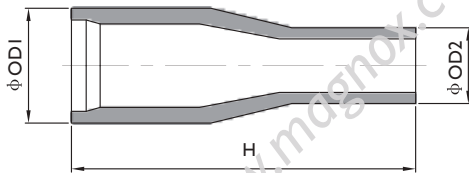


AUTO WELDING TYPE

Auto Welding Type Concentric Reducer / Eccentric Reducer 管式加长自动焊同心变径/偏心变径

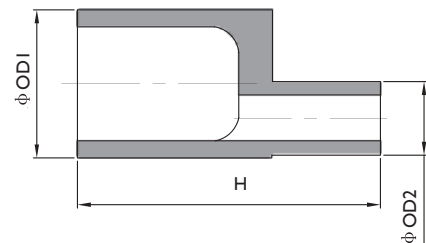
unit = mm

Pipe Size (A Size)					
OD1	OD2	H	OD1	OD2	H
20A	15A	105	50A	40A, 32A, 25A	140
25A	20A, 15A	120	65A	50A, 40A, 32A	165
32A	25A, 20A, 15A	125	80A	65A, 50A, 40A	170
40A	32A, 25A, 20A	130	100A	80A, 65A, 50A	180



MECHANICAL WORKING TYPE

Auto Welding & Mechanical Working Type
Concentric Reducer [RCB](8A-100A)



Auto-Welding & Mechanical Working Type
Eccentric Reducer [REB] (8A~100A)

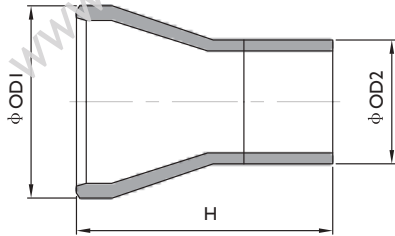
Mechanical Working Type Concentric Reducer / Eccentric Reducer 一体加工式同心变径/偏心变径

unit = mm

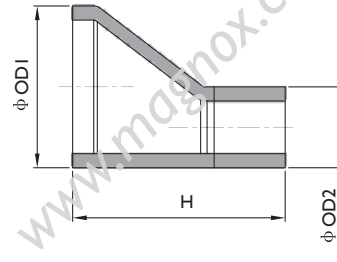
Pipe Size (A Size)					
OD1	OD2	H	OD1	OD2	H
15A	3/4", 1/2"	100	32A	1 1/2", 1 1/4", 1"	125
20A	1", 3/4", 1/2"	105	40A	1 1/2", 1 1/4", 1", 3/4", 1/2", 3/8"	130
25A	1", 3/4", 1/2", 3/8", 1/4"	120	50A	2", 1 1/2", 1 1/4", 1", 3/4"	140

Tube & Pipe Fittings

Reducer 变径



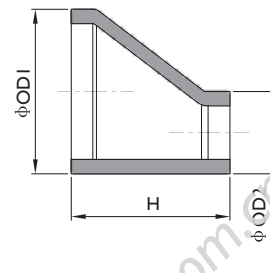
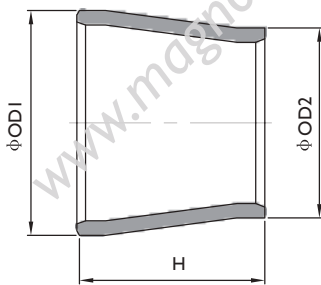
Manual-Welding of Large Dia. Side×Automatic Welding of Small Dia.
Sides & Manual-Welding Type Concentric Reducer [RCB] (125A~300A)



Manual-Welding of Large Dia. Side×Automatic Welding of Small Dia.
Sides & Manual-Welding Type Eccentric Reducer [REB] (125A~300A)

Manual Welding Of Large Dia. Side X Automatic Welding Of Small Dia. Sides Type Concentric / Eccentric Reducer 大直径手动焊接，小直径自动焊接，同心/偏心变径

Pipe Size (A Size)		
OD1	OD2	H
125A	100A, 80A, 65A, 50A	190
150A	100A, 80A, 65A	205
200A	100A	220

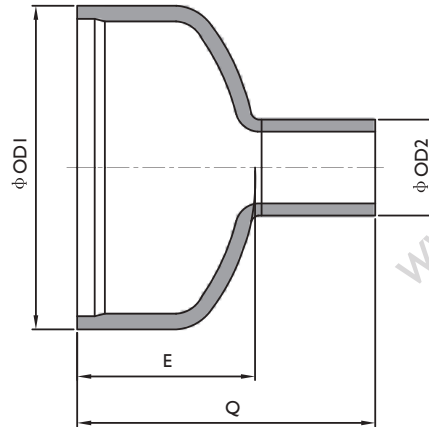


Manual Welding Type Concentric / Eccentric Reducer 手焊同心/偏心变径

Pipe Size (A Size)					
OD1	OD2	H	OD1	OD2	H
150A	125A	139.7	250A	200A, 150A, 125A	177.8
200A	150A, 125A	152.4	300A	250A, 200A, 150A, 125A	203.2

Tube & Pipe Fittings

Cap Reducer (Pipe Size) 封头变径 PIPE



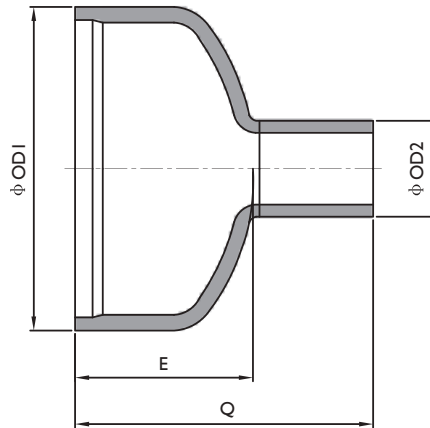
unit = mm

Pipe Size (A Size)									
OD1	OD2	E	Q	OD1	OD2	E	Q		
15A	8A, 1/2", 3/8", 1/4"	25.4	60	125A	8A, 1/2", 3/8", 1/4"	76.2	120		
	10A, 3/4", 5/8"		(67)		25A, 20A, 15A, 10A, 1 1/4", 1", 3/4", 5/8"		130		
20A	8A, 1/2", 3/8", 1/4"	25.4	60		50A, 40A, 32A, 2", 1 1/2"		140		
	15A, 10A, 1", 3/4", 5/8"		67		100A, 80A, 65A, 4", 3", 2 1/2"		(150)		
25A	8A, 1/2", 3/8", 1/4"	38.1	73		150A		8A, 1/2", 3/8", 1/4"	88.9	130
	20A, 15A, 10A, 1 1/4", 1", 3/4", 5/8"		(80)				25A, 20A, 15A, 10A, 1 1/4", 1", 3/4", 5/8"		140
32A	8A, 1/2", 3/8", 1/4"	38.1	73	50A, 40A, 32A, 2", 1 1/2"		150			
	25A, 20A, 15A, 10A, 1 1/4", 1", 3/4", 5/8"		80	100A, 80A, 65A, 4", 3", 2 1/2"		160			
40A	8A, 1/2", 3/8", 1/4"	38.1	73	200A		8A, 1/2", 3/8", 1/4"	101.6		140
	25A, 20A, 15A, 10A, 1 1/4", 1", 3/4", 5/8"		80			25A, 20A, 15A, 10A, 1 1/4", 1", 3/4", 5/8"			150
	32A, 1 1/2"		(90)		50A, 40A, 32A, 2", 1 1/2"	160			
50A	8A, 1/2", 3/8", 1/4"	38.1	73		100A, 80A, 65A, 4", 3", 2 1/2"	170			
	25A, 20A, 15A, 10A, 1 1/4", 1", 3/4", 5/8"		80		250A	8A, 1/2", 3/8", 1/4"		170	
	40A, 32A, 2", 1 1/2"		(90)			25A, 20A, 15A, 10A, 1", 3/4"		180	
65A	8A, 1/2", 3/8", 1/4"	38.1	73	250A	50A, 40A, 32A	127	190		
	25A, 20A, 15A, 10A, 1 1/4", 1", 3/4", 5/8"		80		100A, 80A, 65A		200		
	50A, 40A, 32A, 2", 1 1/2"		(90)		300A		8A, 1/2", 3/8", 1/4"	200	
2 1/2"	(100)	25A, 20A, 15A, 10A, 1", 3/4"	210						
80A	8A, 1/2", 3/8", 1/4"	50.8	85	300A	50A, 40A, 32A	152.4	220		
	25A, 20A, 15A, 10A, 1 1/4", 1", 3/4", 5/8"		92		100A, 80A, 65A		230		
	50A, 40A, 32A, 2", 1 1/2"		102						
	65A, 3", 2 1/2"		(110)						
100A	8A, 1/2", 3/8", 1/4"	63.5	98						
	25A, 20A, 15A, 10A, 1 1/4", 1", 3/4", 5/8"		105						
	50A, 40A, 32A, 2", 1 1/2"		115						
	80A, 65A, 4", 3", 2 1/2"		125						

* 125A(100A, 80A, 65A, 50A) / 150A(125A, 100A, 80A, [65A]) / 200A(150A, 125A, 100A) Bevel end at large dia. side.

Tube & Pipe Fittings

Cap Reducer (Tube Size) 封头变径 TUBE

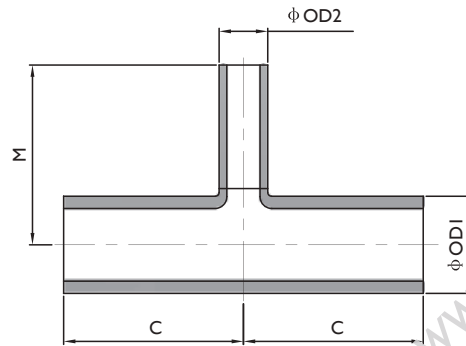


unit = mm

Tube Size (Inch Size)											
OD1	OD2	E	Q	OD1	OD2	E	Q				
3/4"	1/2", 3/8", 1/4", 8A	19.1	54	3"	1/2", 3/8", 1/4", 8A	38.1	73				
	5/8", 10A		60		1 1/4", 1", 3/4", 5/8", 25A, 20A, 15A, 10A		80				
1"	1/2", 3/8", 1/4", 8A	25.4	60		2", 1 1/2", 50A, 40A, 32A		(90)				
	3/4", 5/8", 15A, 10A		67				2 1/2"	(95)			
1 1/4"	1/2", 3/8", 1/4", 8A	38.1	73		4"		1/2", 3/8", 1/4", 8A	63.5	98		
	1", 3/4", 5/8", 20A, 15A, 10A		80				1 1/4", 1", 3/4", 5/8", 25A, 20A, 15A, 10A		105		
1 1/2"	1/2", 3/8", 1/4", 8A	38.1	73	2", 1 1/2", 50A, 40A, 32A		115					
	1 1/4", 1", 3/4", 5/8", 25A, 20A, 15A, 10A		80			3", 2 1/2", 80A, 65A	(125)				
2"	1/2", 3/8", 1/4", 8A	38.1	73								
	1 1/4", 1", 3/4", 5/8", 25A, 20A, 15A, 10A		80								
	1 1/2", 40A, 32A		(90)								
2 1/2"	1/2", 3/8", 1/4", 8A	38.1	73								
	1 1/4", 1", 3/4", 5/8", 25A, 20A, 15A, 10A		80								
	2", 1 1/2", 50A, 40A, 32A		(90)								

Tube & Pipe Fittings

Reducing Tee (Pipe Size) 变径三通 PIPE



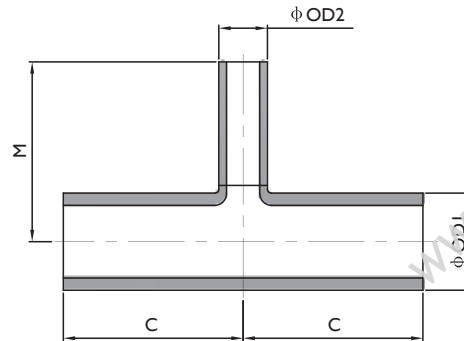
unit = mm

Pipe Size (A Size)								
OD1	OD2	C	M	OD1	OD2	C	M	
8A	1/2", 3/8", 1/4"	42	42	150A	8A, 1/2", 3/8", 1/4"	90	130	
10A	8A, 1/2", 3/8", 1/4"	47	44		25A, 20A, 15A, 10A, 1 1/4", 1", 3/4", 5/8"	110	140	
15A	8A, 1/2", 3/8", 1/4"	47	44		50A, 40A, 32A, 2", 1 1/2"	130	150	
	10A, 3/4", 5/8"	52	52		100A, 80A, 65A, 4", 3", 2 1/2"	150	160	
20A	8A, 1/2", 3/8", 1/4"	47	47		125A, 5"	142.9	136.5	
	15A, 10A, 1", 3/4", 5/8"	55	55	200A	8A, 1/2", 3/8", 1/4"	100	150	
25A	8A, 1/2", 3/8", 1/4"	47	50		25A, 20A, 15A, 10A, 1 1/4", 1", 3/4", 5/8"	120	160	
	20A, 15A, 10A, 1 1/4", 1", 3/4", 5/8"	59	59		50A, 40A, 32A, 2", 1 1/2"	140	170	
32A	8A, 1/2", 3/8", 1/4"	57	54		100A, 80A, 65A, 4", 3", 2 1/2"	160	180	
	25A, 20A, 15A, 10A, 1 1/4", 1", 3/4", 5/8"	68	62		125A	177.8	161.9	
40A	8A, 1/2", 3/8", 1/4"	57	57	150A	177.8	168.3		
	25A, 20A, 15A, 10A, 1 1/4", 1", 3/4", 5/8"	68	65	250A	8A, 1/2", 3/8", 1/4"	110	180	
	32A, 1 1/2"	77	77		25A, 20A, 15A, 10A, 1", 3/4"	130	190	
8A, 1/2", 3/8", 1/4"	57	63	50A, 40A, 32A		150	200		
50A	25A, 20A, 15A, 10A, 1 1/4", 1", 3/4", 5/8"	68	71	100A, 80A, 65A	170	210		
	40A, 32A, 2", 1 1/2"	83	83	125A	215.9	190.5		
	8A, 1/2", 3/8", 1/4"	61	71	150A	215.9	193.7		
65A	25A, 20A, 15A, 10A, 1 1/4", 1", 3/4", 5/8"	72	79	200A	215.9	203.2		
	50A, 40A, 32A, 2", 1 1/2"	88	90	300A	8A, 1/2", 3/8", 1/4"	120	200	
	2 1/2"	97	97		25A, 20A, 15A, 10A, 1", 3/4"	140	210	
	8A, 1/2", 3/8", 1/4"	61	77		50A, 40A, 32A	160	220	
25A, 20A, 15A, 10A, 1 1/4", 1", 3/4", 5/8"	72	85	100A, 80A, 65A		180	230		
80A	50A, 40A, 32A, 2", 1 1/2"	88	96	125A	254	215.9		
	65A, 3", 2 1/2"	103	103	150A	254	219.1		
	8A, 1/2", 3/8", 1/4"	61	90	200A	254	228.6		
	25A, 20A, 15A, 10A, 1 1/4", 1", 3/4", 5/8"	72	98	100A	50A, 40A, 32A, 2", 1 1/2"	88	109	
50A, 40A, 32A, 2", 1 1/2"	88	109	80A, 65A, 4", 3", 2 1/2"		116	116		
8A, 1/2", 3/8", 1/4"	80	110	8A, 1/2", 3/8", 1/4"		80	110		
25A, 20A, 15A, 10A, 1 1/4", 1", 3/4", 5/8"	100	120	50A, 40A, 32A, 2", 1 1/2"		120	130		
125A	50A, 40A, 32A, 2", 1 1/2"	120	130	100A, 80A, 65A, 4", 3", 2 1/2"	140	140		
	100A, 80A, 65A, 4", 3", 2 1/2"	140	140	5"	160	160		
	5"	160	160					

* 125A(100A, 80A, 65A, 50A) / 150A(125A, 100A, 80A, [65A]) / 200A(150A, 125A, 100A) Bevel end at large dia. side.

Tube & Pipe Fittings

Reducing Tee (Tube Size) 变径三通 TUBE

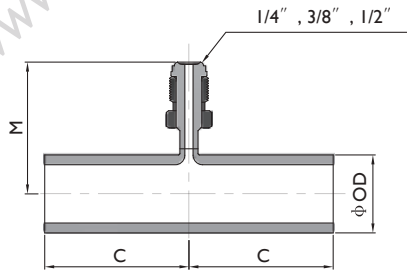


unit = mm

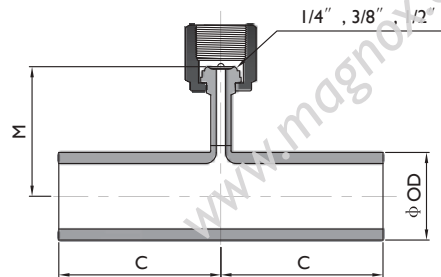
Tube Size (Inch Size)							
OD1	OD2	C	M	OD1	OD2	C	M
3/8"	1/4"	37	37	3"	1/2", 3/8", 1/4", 8A	61	71
1/2"	3/8", 1/4"	39	39		1 1/4", 1", 3/4", 5/8", 25A, 20A, 15A, 10A	72	79
5/8"	1/2", 3/8", 1/4", 8A	47	44		2", 1 1/2", 50A, 40A, 32A	90	90
3/4"	1/2", 3/8", 1/4", 8A	47	44	4"	2 1/2", 65A	97	97
	5/8", 10A	52	52		1/2", 3/8", 1/4", 8A	61	87
1"	1/2", 3/8", 1/4", 8A	47	47		1 1/4", 1", 3/4", 5/8", 25A, 20A, 15A, 10A	72	95
	3/4", 5/8", 15A, 10A	55	55	2", 1 1/2", 50A, 40A, 32A	90	105	
1 1/4"	1/2", 3/8", 1/4", 8A	47	50	5"	3", 2 1/2", 80A, 65A	110	110
1 1/2"	1", 3/4", 5/8", 20A, 15A, 10A	59	59		1/2", 3/8", 1/4", 8A	70	100
	1/2", 3/8", 1/4", 8A	57	54		1 1/4", 1", 3/4", 5/8", 25A, 20A, 15A, 10A	90	110
2"	1 1/4", 1", 3/4", 5/8", 25A, 20A, 15A, 10A	68	62	6"	2", 1 1/2", 50A, 40A, 32A	110	120
	1/2", 3/8", 1/4", 8A	57	57		4", 3", 2 1/2", 100A, 80A, 65A	140	140
	1 1/4", 1", 3/4", 5/8", 25A, 20A, 15A, 10A	68	65		1/2", 3/8", 1/4", 8A	80	115
2 1/2"	1 1/2", 40A, 32A	77	77	6"	1 1/4", 1", 3/4", 5/8", 25A, 20A, 15A, 10A	100	125
	1/2", 3/8", 1/4", 8A	61	63		2", 1 1/2", 50A, 40A, 32A	120	135
	1 1/4", 1", 3/4", 5/8", 25A, 20A, 15A, 10A	72	71		4", 3", 2 1/2", 100A, 80A, 65A	140	145
	2", 1 1/2", 50A, 40A, 32A	90	83		5", 125A	160	160

Tube & Pipe Fittings

Joint Tee 转接三通



MALE TYPE



FEMALE TYPE

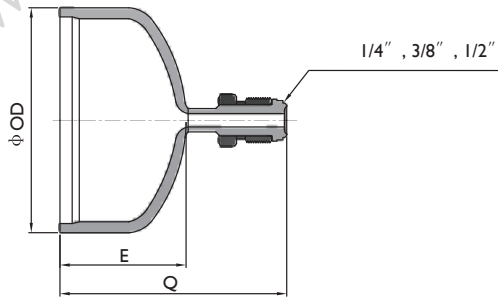
unit = mm

Pipe Size (A Size)															
OD		8A	10A	15A	20A	25A	32A	40A	50A	65A	80A	100A	125A	150A	200A
C		45	52	52	55	59	68	68	68	72	72	72	100	110	120
Female	M	35	37	39.5	42.5	46.5	51	54	60	68	74.5	87	100	113	138.5
Male	M	45	47	49.5	52.5	56.5	61	64	70	78	84.5	97	110	123	148.5

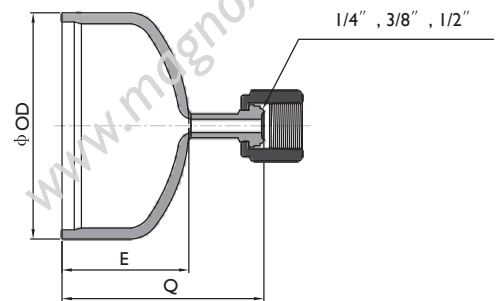
Tube Size (Inch Size)															
OD		1/4"	3/8"	1/2"	5/8"	3/4"	1"	1 1/4"	1 1/2"	2"	2 1/2"	3"	4"	5"	6"
C		43	45	45	52	52	55	59	68	68	72	72	72	90	100
Female	M	31.5	33.5	35	36.5	38	42	45.5	48	55	61.5	68	81	94	107
Male	M	41.5	43.5	45	46.5	48	52	55.5	58	65	72.5	78	91	104	117

Tube & Pipe Fittings

Joint Cap 转接封头



MALE TYPE



FEMALE TYPE

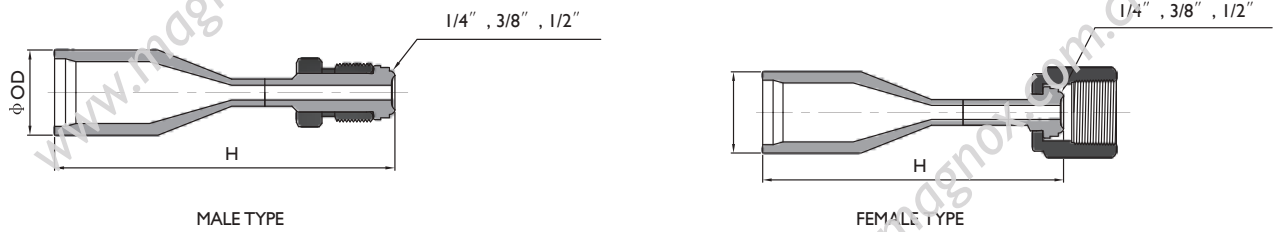
unit = mm

OD		10A	15A	20A	25A	32A	40A	50A	65A	80A	100A	125A	150A	200A
Cap Length	E	19.1	25.4	25.4	38.1	38.1	38.1	38.1	38.1	50.8	63.5	76.2	88.9	101.6
Female	Q	48.0	55.0	55.0	68.0	68.0	68.0	68.0	68.0	81.0	94.0	107.0	120.0	133.0
Male	Q	58.0	65.0	65.0	78.0	78.0	78.0	78.0	78.0	91.0	104.0	117.0	130.0	143.0

OD		3/4"	1"	1 1/4"	1 1/2"	2"	2 1/2"	3"	4"
Cap Length	E	19.1	25.4	38.1	38.1	38.1	38.1	38.1	63.5
Female	Q	48.0	55.0	68.0	68.0	68.0	68.0	68.0	94.0
Male	Q	58.0	65.0	78.0	78.0	78.0	78.0	78.0	104.0

Tube & Pipe Fittings

Joint Reducer 转接变径

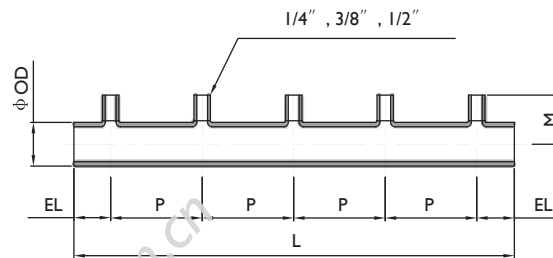


unit = mm

		PIPE SIZE (A Size)				
OD		8A	10A	15A	20A	25A
Female	H	90	100	110	115	130
Male	H	100	110	120	125	140

		TUBE SIZE (Inch Size)				
OD		3/8"	1/2"	5/8"	3/4"	1"
Female	H	80	85	100	110	115
Male	H	90	95	110	120	125

Multi-header Tee 直管多通管



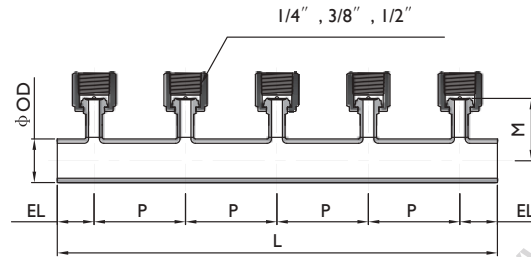
unit = mm

		Pipe Size (A Size)											
OD		8A	10A	15A	20A	25A	32A	40A	50A	65A	80A	100A	
Length at End	EL	60									70		
Pitch	P	125									145		
Total Length (L)	Number of Branches	2	245									285	
		3	370									430	
		4	495									575	
		5	620									720	
		Branch Tube Height	Tube-End (M)	42	44	44	47	50	54	57	63	71	77
Female (M)	35		37	39.5	42.5	46.5	51	54	60	68	74.5	87	

		Tube Size (Inch Size)												
OD		1/4"	3/8"	1/2"	5/8"	3/4"	1"	1 1/4"	1 1/2"	2"	2 1/2"	3"	4"	
Length at End	EL	76.2												
Pitch	P	152.4												
Total Length (L)	Number of Branches	2	304.8											
		3	457.2											
		4	609.6											
		5	762.0											
		Branch Tube Height	Tube-End (M)	35	37	39	44	44	47	50	54	57	63	71
Female (M)	31.5		33.5	35	36.5	38	42	45.5	48	55	61.5	68	81	

Tube & Pipe Fittings

Multi-header Joint Tee 接头多通管

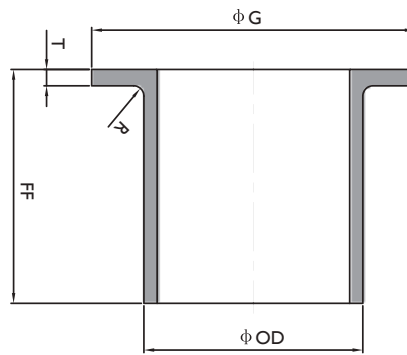


unit = mm

PIPE SIZE (A Size)													
OD		8A	10A	15A	20A	25A	32A	40A	50A	65A	80A	100A	
Length at End	EL	23	29	31	34	42	46	49	60	68	74.5	87	
Pitch		P									125		145
Total Length	Number of Branches	2										245	285
		3										370	430
		4										495	575
		5										620	720
Branch Tube Height	Tube-End	42	44	44	47	50	54	57	63	71	77	90	
	Female VCR	35	37	39.5	42.5	46.5	51	54	60	68	74.5	87	
TUBE SIZE (Inch Size)													
OD		1/4"	3/8"	1/2"	5/8"	3/4"	1"	1 1/4"	1 1/2"	2"	2 1/2"	3"	4"
Length at End	EL	21	21	21	27	30	33	40	45	50	65	68	86
Pitch		P									154.4		
Total Length	Number of Branches	2										304.8	
		3										457.2	
		4										609.6	
		5										762.0	
Branch Tube Height	Tube-End	35	37	39	44	44	47	50	54	57	63	71	87
	Female VCR	31.5	33.5	35	36.5	38	42	45.5	48	55	61.5	68	81

Tube & Pipe Fittings

Lap Joint 搭接

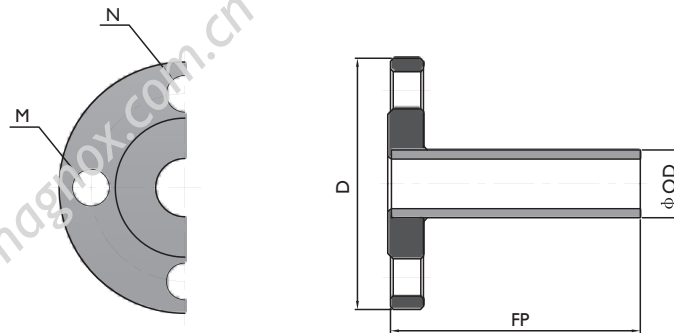


unit = mm

PIPE SIZE (A Size)																
OD	10A	15A	20A	25A	32A	40A	50A	65A	80A	100A	125A	150A	200A	250A	300A	
FF	55	55	55	55	70	70	70	75	75	75	50	50	65	65	65	
G	JIS 10K	46	51	56	67	76	81	96	116	126	151	182	212	262	324	368
	JIS 5K	39	44	49	59	70	75	85	110	121	141	182	212	262	324	368
R	3	3	3	3	3	3	4	4	5	5	5	5	5	5	5	
T	2.5	2.5	2.5	2.5	2.5	2.5	2.5	2.5	2.5	2.5	5	5	7	7	9	

TUBE SIZE (Inch Size)											
OD	3/4"	1"	1 1/4"	1 1/2"	2"	2 1/2"	3"	4"	5"	6"	
FF	55	55	55	70	70	70	75	75	85	90	
G	51	56	67	76	81	96	116	136	182	212	
R	3	3	3	3	3	4	4	5	5	5	
T	2.5	2.5	2.5	2.5	2.5	2.5	2.5	2.5	3	3	

Pipe Flange Pipe 法兰



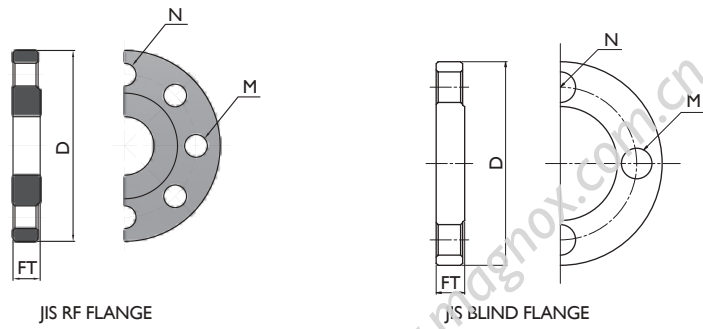
unit = mm

PIPE SIZE (A Size)															
OD	10A	15A	20A	25A	32A	40A	50A	65A	80A	100A	125A	150A	200A	250A	300A
FP	100	100	100	100	100	100	100	100	100	100	200	200	200	200	200
D	90	95	100	125	135	140	155	175	185	210	250	280	330	400	445
N	4	4	4	4	4	4	4	4	8	8	8	8	12	12	16
M	M12	M12	M12	M16	M16	M16	M16	M16	M16	M16	M20	M20	M20	M22	M22

TUBE SIZE (Inch Size)											
OD	3/4"	1"	1 1/4"	1 1/2"	2"	2 1/2"	3"	4"	5"	6"	
FP	100	100	100	100	100	100	100	100	200	200	
D	95	100	125	135	140	155	175	195	250	280	
N	4	4	4	4	4	4	4	8	8	8	
M	M12	M12	M16	M16	M16	M16	M16	M16	M20	M20	

Tube & Pipe Fittings

Jis Rf Flange / Jis Blind Flange JIS RF 法兰/盲板



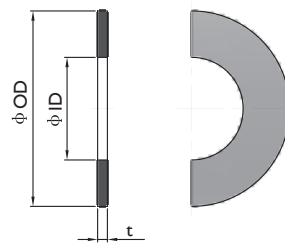
unit = mm

PIPE SIZE (A Size) JIS 10K															
OD	10A	15A	20A	25A	32A	40A	50A	65A	80A	100A	125A	150A	200A	250A	300A
D	90	95	100	125	135	140	155	175	185	210	250	280	330	400	445
FT	12	12	14	14	16	16	16	18	18	18	20	22	22	24	24
N	4	4	4	4	4	4	4	4	8	8	8	8	12	12	16
M	M12	M12	M12	M16	M16	M16	M16	M16	M16	M16	M20	M20	M20	M22	M22

JIS 5K															
OD	10A	15A	20A	25A	32A	40A	50A	65A	80A	100A	125A	150A	200A	250A	300A
D	75	80	85	95	115	120	130	155	180	200	235	265	320	385	430
FT	9	9	10	10	12	12	14	14	14	16	16	18	20	22	22
N	4	4	4	4	4	4	4	4	4	8	8	8	8	12	12
M	M10	M10	M10	M10	M12	M12	M12	M12	M16	M16	M16	M16	M20	M20	M20

TUBE SIZE (Inch Size)											
OD	3/4"	1"	1 1/4"	1 1/2"	2"	2 1/2"	3"	4"	5"	6"	
D	95	100	125	135	140	155	175	195	250	280	
FT	12	14	14	16	16	16	18	18	20	22	
N	4	4	4	4	4	4	4	8	8	8	
M	M12	M12	M16	M16	M16	M16	M16	M16	M20	M20	

Teflon Gasket 特氟龙垫片



Thickness t=2mm, unit = mm

PIPE SIZE (A Size) JIS 10K															
D	10A	15A	20A	25A	32A	40A	50A	65A	80A	100A	125A	150A	200A	250A	300A
OD	53	58	63	74	84	89	104	124	134	159	190	220	270	333	378
ID	18	22	28	35	43	49	61	77	90	115	141	167	218	270	321

JIS 5K															
D	10A	15A	20A	25A	32A	40A	50A	65A	80A	100A	125A	150A	200A	250A	300A
OD	45	50	55	65	78	83	93	118	129	149	184	214	260	325	370
ID	18	22	28	35	43	49	61	77	90	115	141	167	218	270	321

TUBE SIZE (Inch Size)											
D	3/4"	1"	1 1/4"	1 1/2"	2"	2 1/2"	3"	4"	5"	6"	
OD	58	63	74	84	89	104	124	144	190	220	
ID	19.5	26	32.5	38.5	51.5	64	77	102.5	128	153.5	